

Wall Cabinet Assembly Instruction

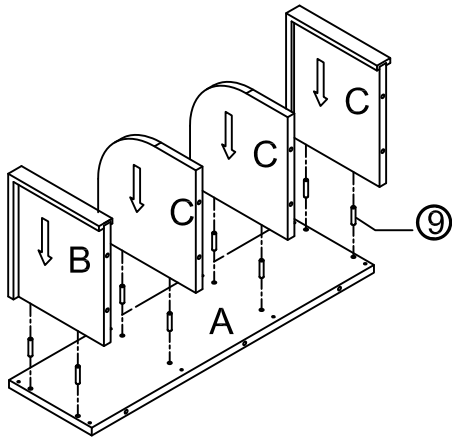
(Item:WES0930-WES0936)

Hard Ware List	1 19PCS $\varnothing 4 \times 25\text{mm}$	9 19PCS $\varnothing 4 \times 30\text{mm}$
	Flat head screw	Wood dowel

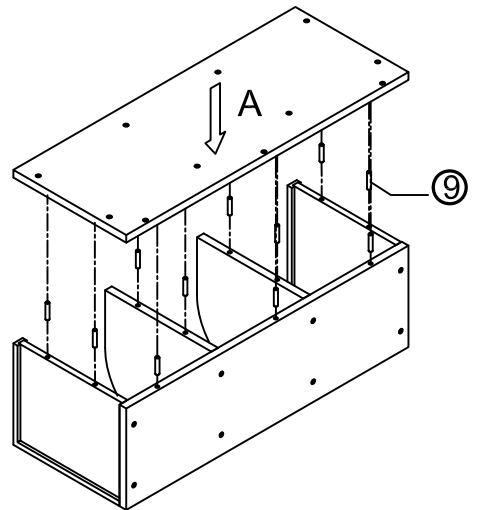


Cabinet Parts List	A	Side panels(2)	B	Top panel	C	Bottom panel & Fixed shelf(3)
--------------------	---	----------------	---	-----------	---	-------------------------------

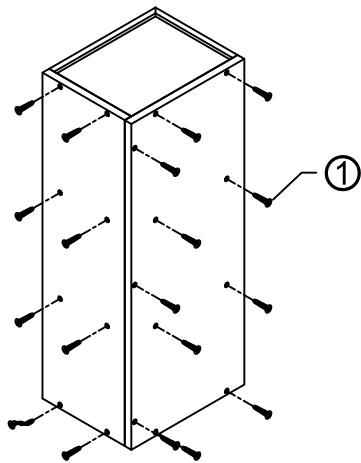
Step1:



Step2:



Step3:



Step4:

