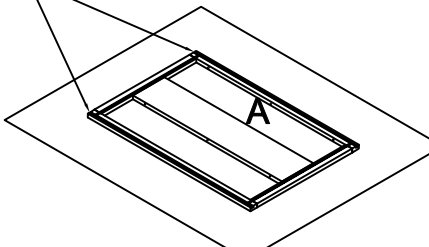


Wall Cabinet Assembly Instruction (Item:WBC2442-WBC3642)

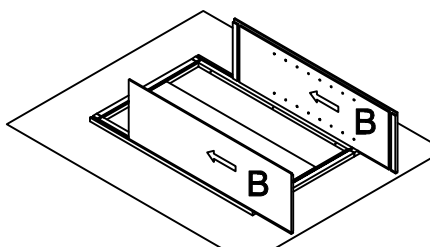
Hard Ware List	1 4PCS Ø4×25mm	2 6PCS Ø4×16mm	3 3PCS Ø4×19mm	4 3PCS 1-1/4"	5 32PCS Ø4×12mm	6 8PCS	7 12PCS Ø8mm	
	Flat head screw	Flat head screw	Round head screw	Hinge	Flat head screw	Corner brackets	Shelf clips	
Cabinet Parts List	A	Frame	B	Side panels(2)	C	Top panel & Bottom panel(2)	D	Back panel
	E	Adjustable shelf(3)			F	Door		

Step1:

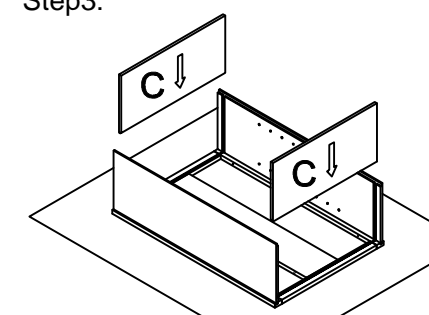
Add glue all the way down along dovetail groove .



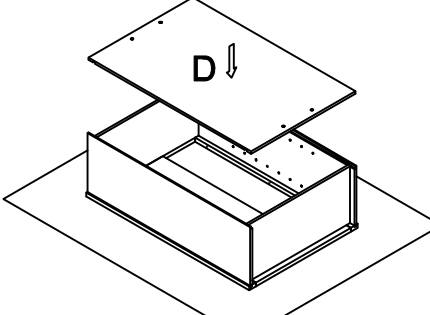
Step2:



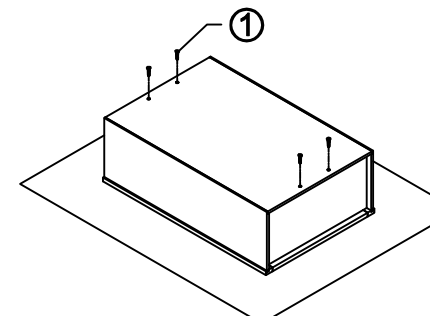
Step3:



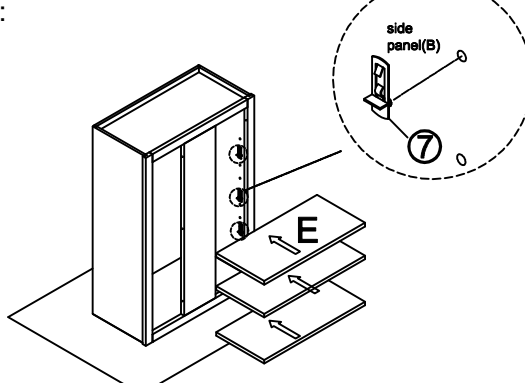
Step4:



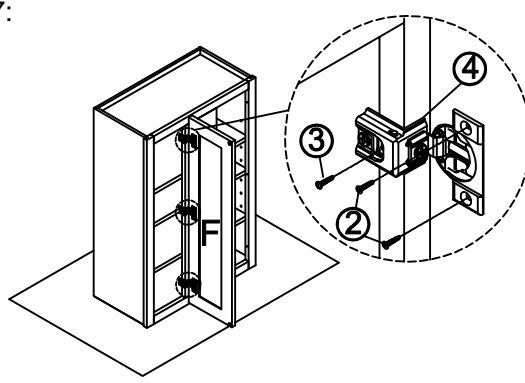
Step5:



Step6:



Step7:



Step8:

