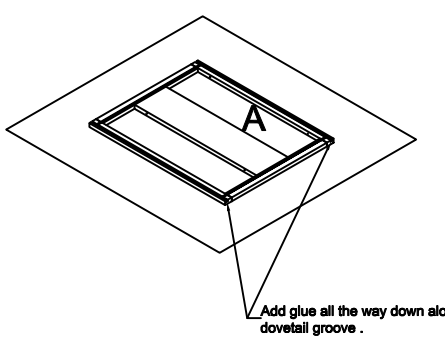


Wall Cabinet Assembly Instruction (Item:WBC2430-WBC3630/WBC2436-WBC3636)

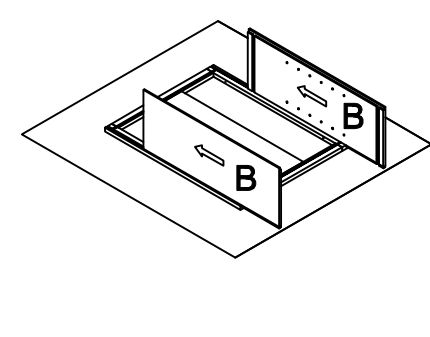
Hard Ware List	1 4PCS Ø4×25mm	2 4PCS Ø4×16mm	3 2PCS Ø4×19mm	4 2PCS 1-1/4"	5 16PCS Ø4×12mm	6 4PCS	7 8PCS Ø8mm	
	Flat head screw	Flat head screw	Round head screw	Hinge	Flat head screw	Corner brackets	Shelf clips	
Cabinet Parts List	A	Frame	B	Side panels(2)	C	Top panel & Bottom panel(2)	D	Back panel
	E	Adjustable shelf(2)		F	Door			

Step1:

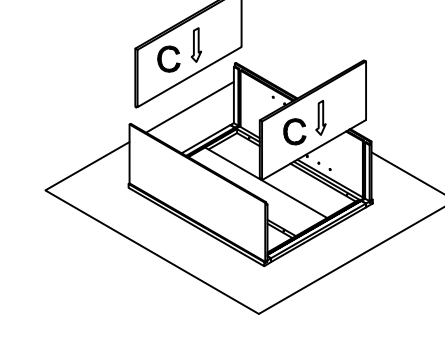


Add glue all the way down along dovetail groove .

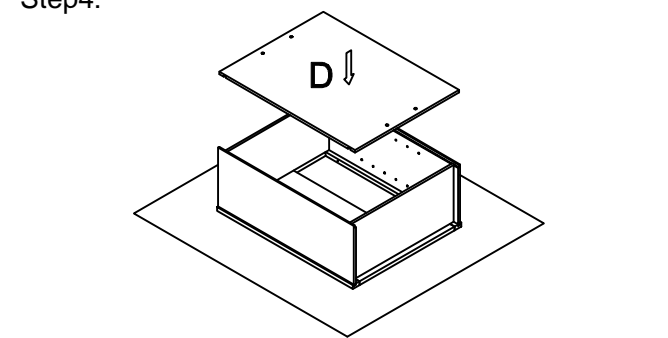
Step2:



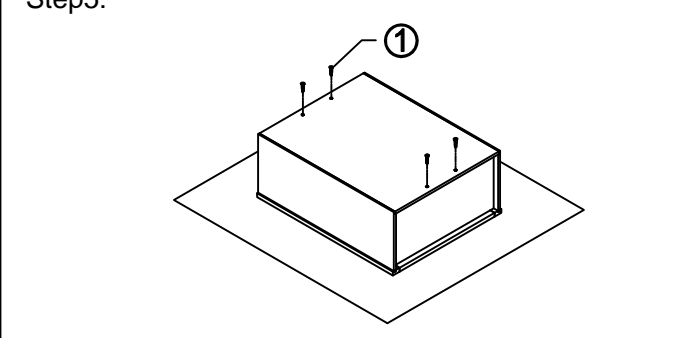
Step3:



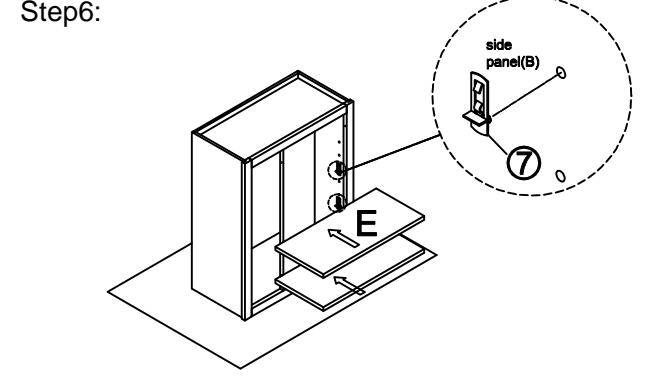
Step4:



Step5:



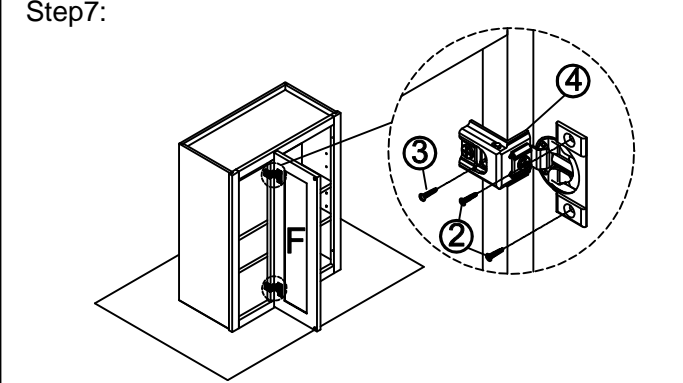
Step6:



side panel(B)

7

Step7:



2

3

4

Step8:

