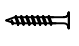






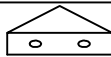
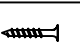
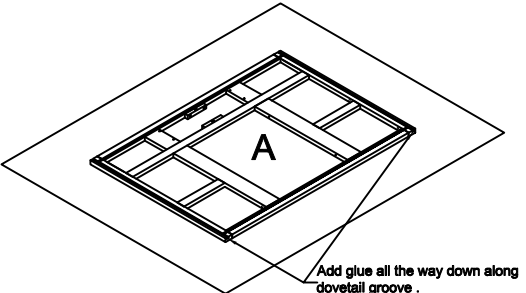


Base Cabinet Assembly Instruction (Item:VSD4821)

Hard Ware List	1 16PCS Ø4×25mm	2 8PCS Ø4×16mm	3 4PCS Ø4×19mm	4 4PCS 1-1/4"	5 16PCS Ø4×12mm	6 4PCS	8 6SET
	Flat head screw	Flat head screw	Round head screw	Hinge	Flat head screw	Corner brackets	Slide
							
	9 4PCS 60°60°18	10 24PCS Ø4×22mm					
	Corner block	Flat head screw					
							

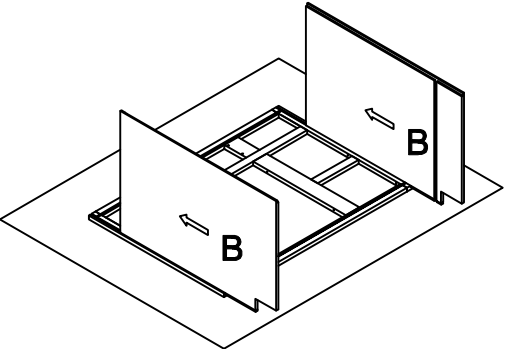
Cabinet Parts List	A Frame	B Side panels(2)	C Bottom panel	D Back panel	E Toe kick		
	G Door(2)	H Drawer front(4)	I Drawer front panel(4)	J Drawer back panel(4)	K Drawer side panel(8)	L Drawer bottom panel(4)	

Step1:

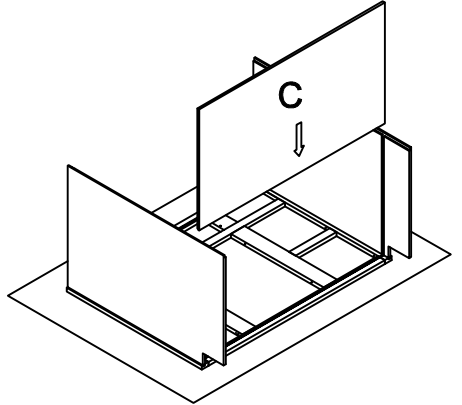


Add glue all the way down along dovetail groove.

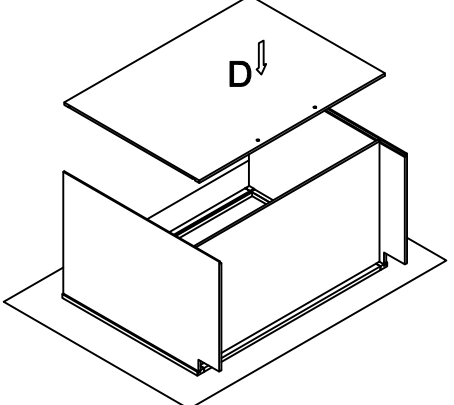
Step2:



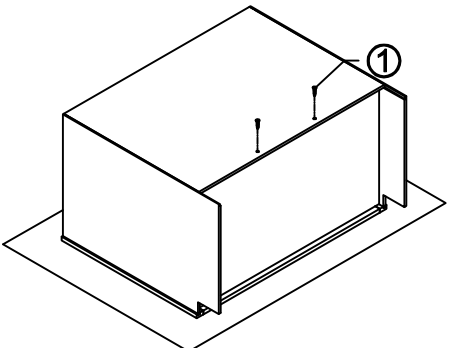
Step3:



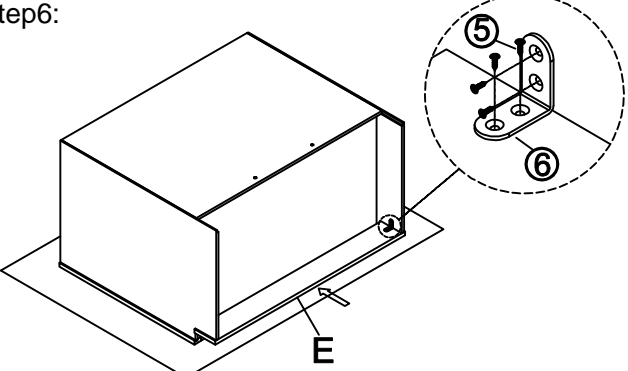
Step4:



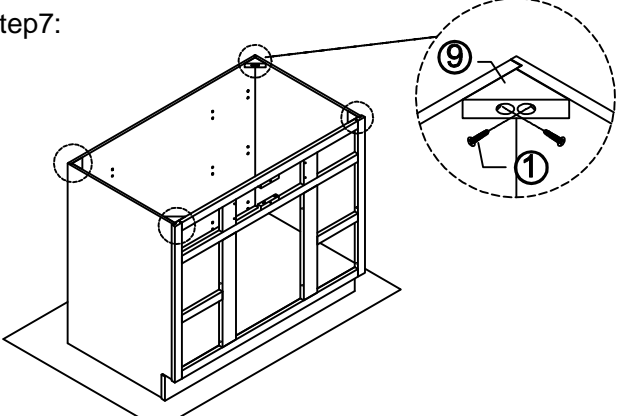
Step5:



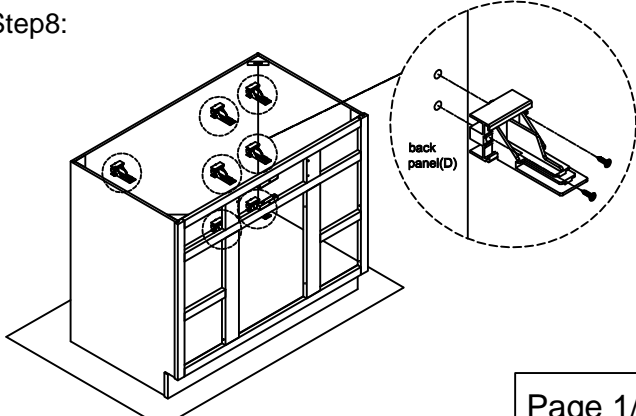
Step6:



Step7:



Step8:



Base Cabinet Assembly Instruction (Item:VSD4821)

Hard Ware List	1 16PCS Ø4×25mm	2 8PCS Ø4×16mm	3 4PCS Ø4×19mm	4 4PCS 1-1/4"	5 16PCS Ø4×12mm	6 4PCS	8 6SET
	Flat head screw	Flat head screw	Round head screw	Hinge	Flat head screw	Corner brackets	Slide
	9 4PCS 60°60°18	10 24PCS Ø4×22mm					
	Corner block	Flat head screw					

Cabinet Parts List	A	Frame	B	Side panels(2)	C	Bottom panel	D	Back panel	E	Toe kick		
	G	Door(2)	H	Drawer front(4)	I	Drawer front panel(4)	J	Drawer back panel(4)	K	Drawer side panel(8)	L	Drawer bottom panel(4)

