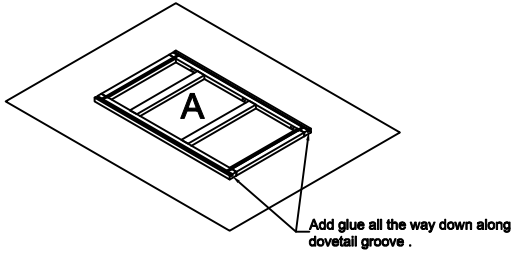


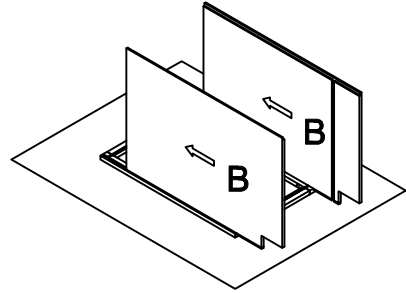
## Base Cabinet Assembly Instruction (Item:DB12-DB36/VDB1221-3-VDB3621-3)

Hard Ware List	1   10PCS   Ø4×25mm	5   16PCS   Ø4×12mm	6   4PCS	8   3SET	9   4PCS   60°60°18	10   12PCS   Ø4×22mm						
	Flat head screw	Flat head screw	Corner brackets	Slide	Corner block	Flat head screw						
Cabinet Parts List	A	Frame	B	Side panels(2)	C	Bottom panel	D	Back panel	E	Toe kick	H	Drawer front(3)
	I	Drawer front panel (3)	J	Drawer back panel (3)	K	Drawer side panel(6)	L	Drawer bottom panel (3)				

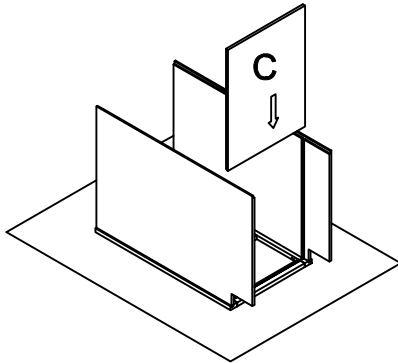
Step1:



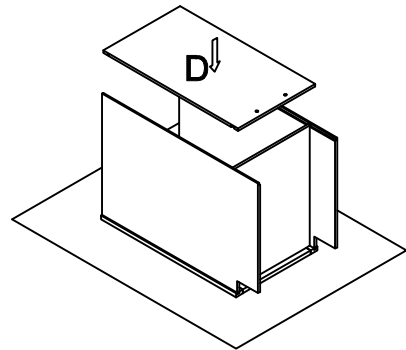
Step2:



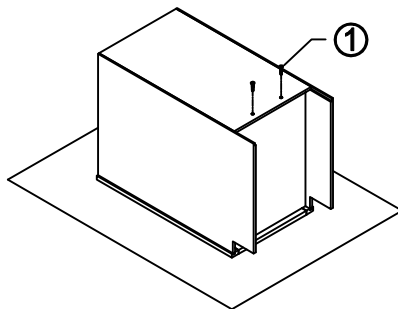
Step3:



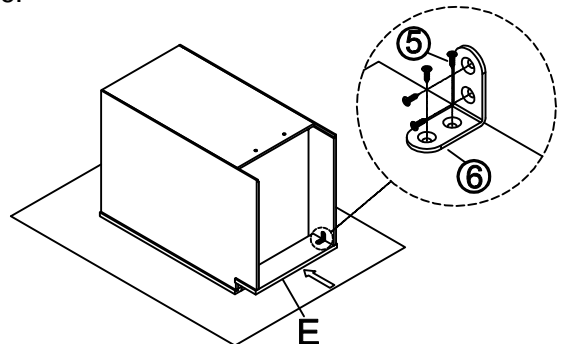
Step4:



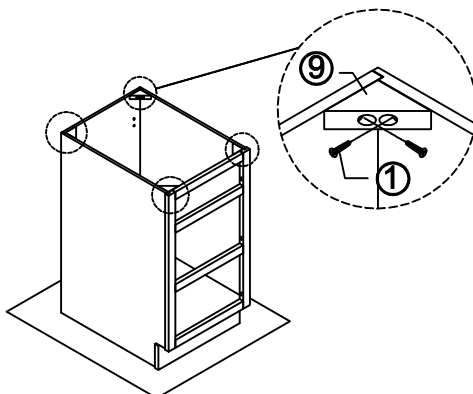
Step5:



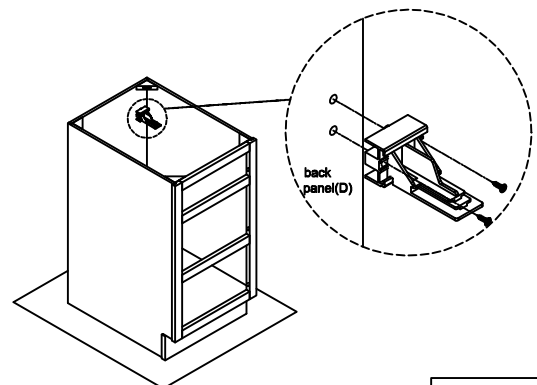
Step6:



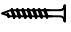




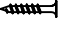
Step7:



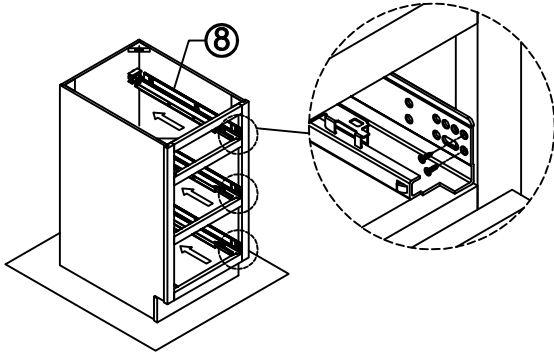
Step8:



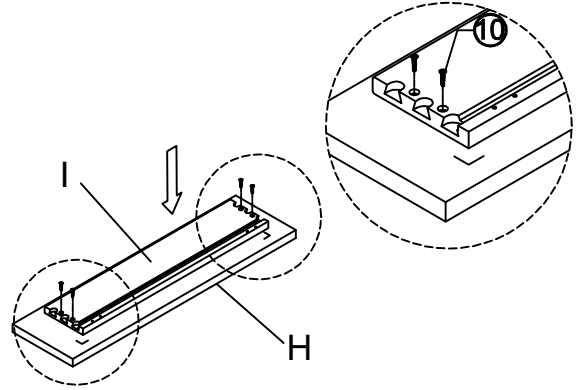
## Base Cabinet Assembly Instruction (Item:DB12-DB36/VDB1221-3-VDB3621-3)

Hard Ware List	1   10PCS   Ø4×25mm	5   16PCS   Ø4×12mm	6   4PCS	8   3SET	9   4PCS   60°60°18	10   12PCS   Ø4×22mm						
	Flat head screw	Flat head screw	Corner brackets	Slide	Corner block	Flat head screw						
												
Cabinet Parts List	A	Frame	B	Side panels(2)	C	Bottom panel	D	Back panel	E	Toe kick	H	Drawer front(3)
	I	Drawer front panel (3)	J	Drawer back panel (3)	K	Drawer side panel(6)	L	Drawer bottom panel (3)				

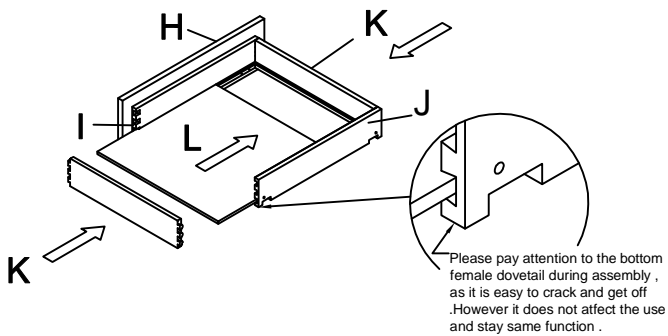
Step9:



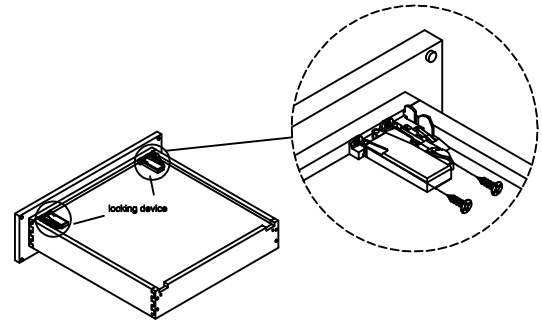
Step10:



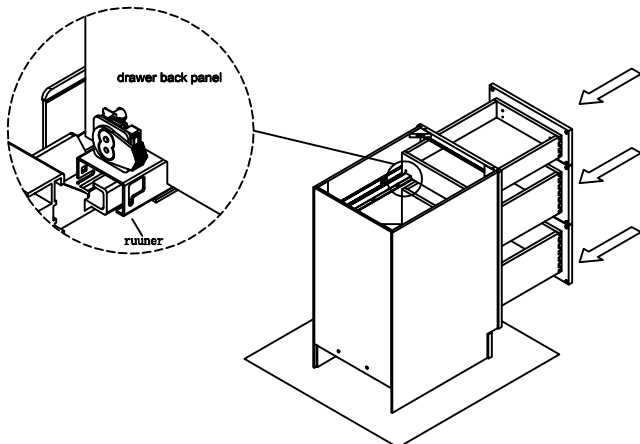
Step11:



Step12:



Step13:



Step14:

