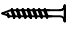






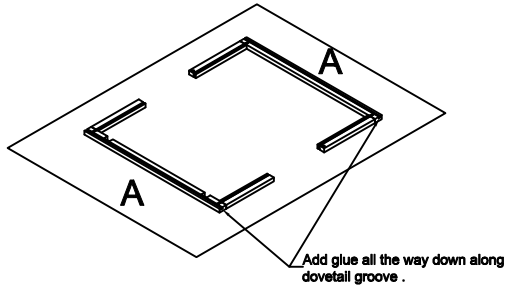


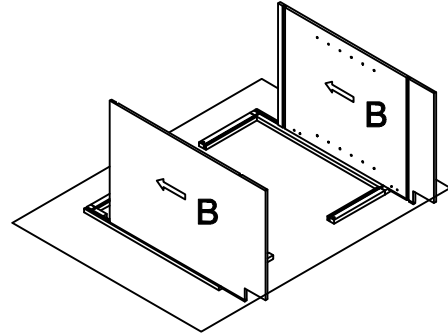
## Lazy Susan Base Cabinet Assembly Instruction (Item: BLS33-BLS36)

Hard Ware List	1   8PCS   Ø4×25mm	2   4PCS   Ø4×16mm	4   2PCS   165°	5   40PCS   Ø4×12mm	6   10PCS	7   8PCS   Ø6mm	8   4PCS   60°60°18					
	Flat head screw	Flat head screw	Hinge	Flat head screw	Corner brackets	Shelf clips	Corner block					
												
Cabinet Parts List	A	Frame(2)	B	Side panels(4)	C	Top panel	D	Bottom panel	E	Adjustable shelf	F	Back panel
	G	Toe kick(2)	H	Door(2)								

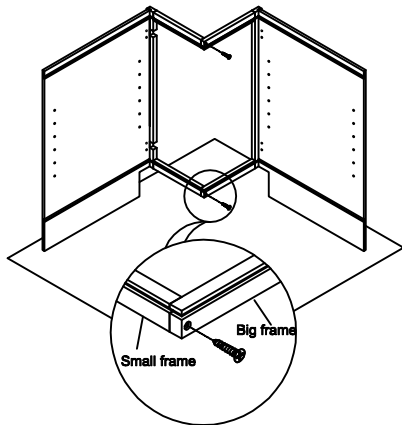
Step1:



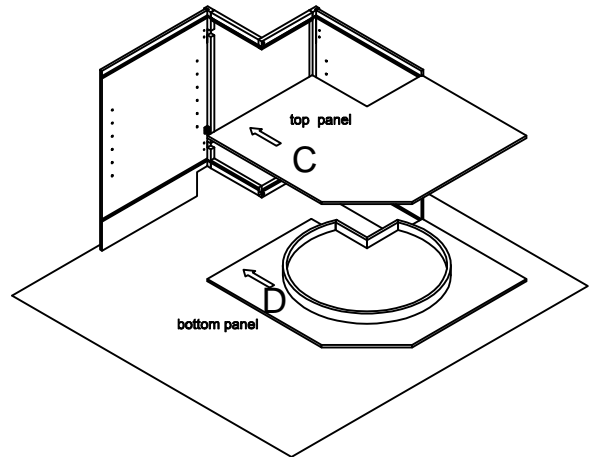
Step2:



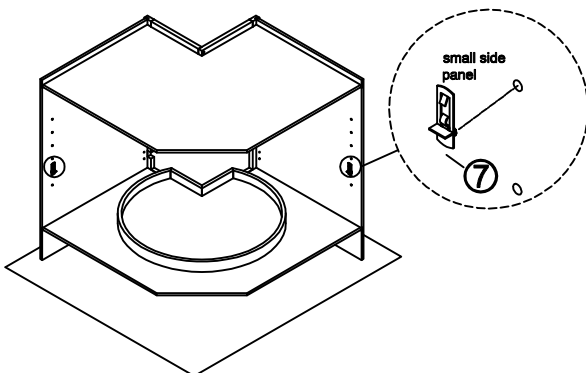
Step3:



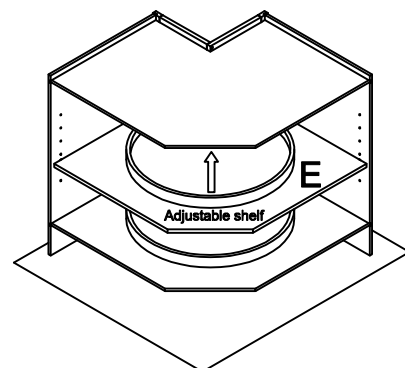
Step4:



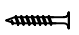






Step5:



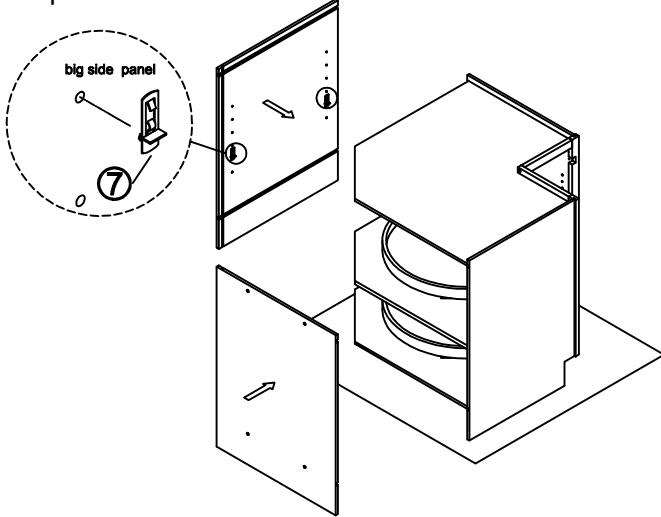
Step6:



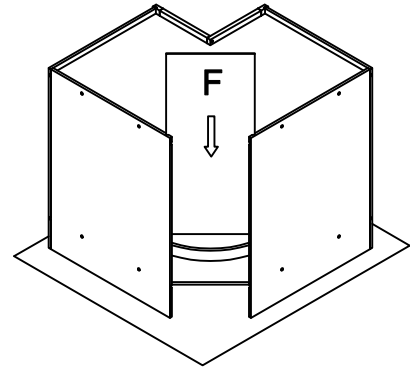
## Lazy Susan Base Cabinet Assembly Instruction (Item: BLS33-BLS36)

Hard Ware List	1   16PCS   Ø4×25mm	2   4PCS   Ø4×16mm	4   2PCS   165°	5   40PCS   Ø4×12mm	6   10PCS	7   8PCS   Ø6mm	8   4PCS   60°60°18					
	Flat head screw	Flat head screw	Hinge	Flat head screw	Corner brackets	Shelf clips	Corner block					
												
Cabinet Parts List	A	Frame(2)	B	Side panels(4)	C	Top panel	D	Bottom panel	E	Adjustable shelf	F	Back panel
	G	Toe kick(2)	H	Door(2)								

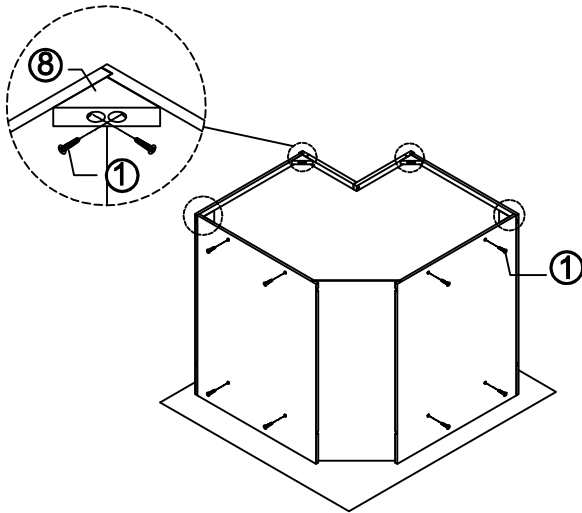
**Step7:**



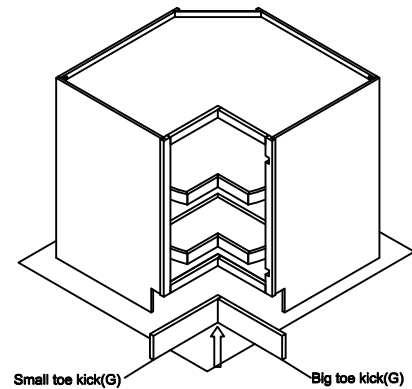
**Step8:**



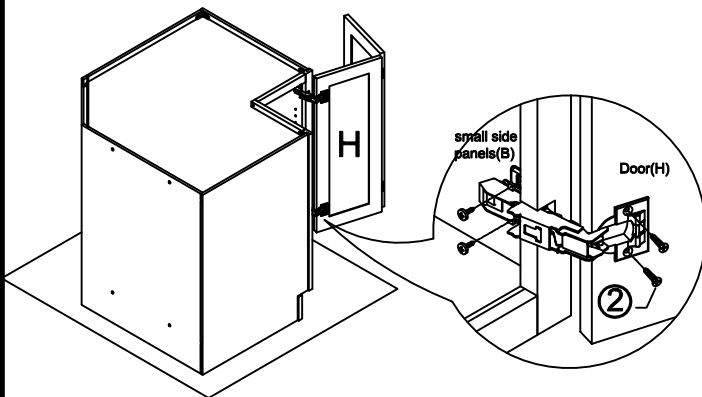
**Step9:**



**Step10:**



**Step11:**



**Step12:**

