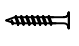









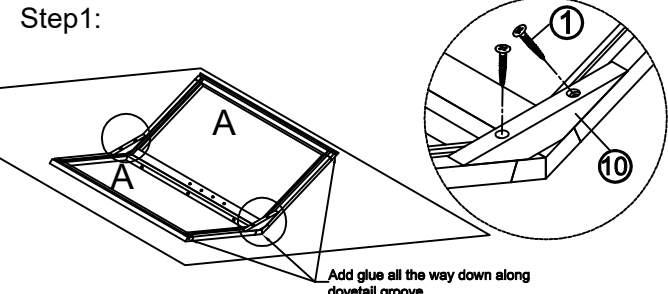


Base End Angle Cabinet Assembly Instruction (Item:BEA24)

Hard Ware List	1 23PCS Ø4×25mm	2 8PCS Ø4×16mm	4 2PCS Ø4×19mm	4 4PCS 1-1/4"	5 8PCS Ø4×12mm	6 2PCS	7 5PCS Ø8mm	8 2PCS 60°60°18
	Flat head screw	Flat head screw	Round head screw	Hinge	Flat head screw	Corner brackets	Shelf clips	Corner block
								
	9 2PCS 60°60°18	10 4PCS 184°30°18						
	Corner block	Corner block						
								

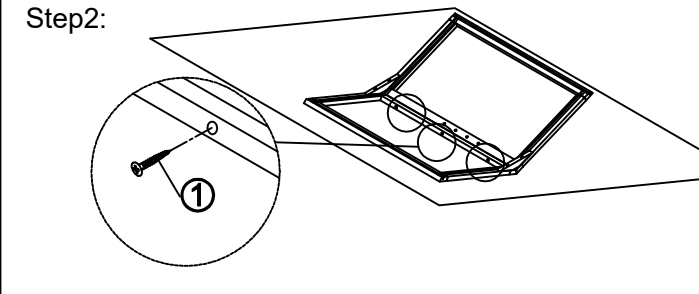
Cabinet Parts List	A	Frame(2)	B	Side panels(2)	C	Top panel & Bottom panel(2)	D	Adjustable shelf	F	Toe kick
	G	Door(2)								

Step1:

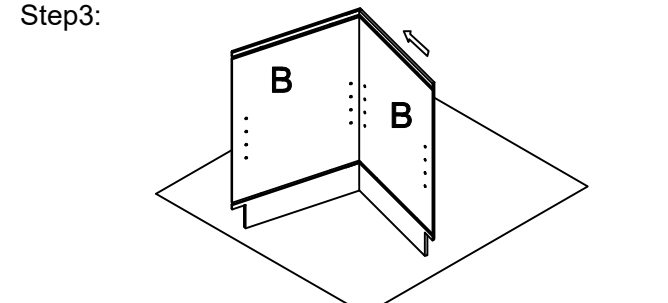


Add glue all the way down along dovetail groove.

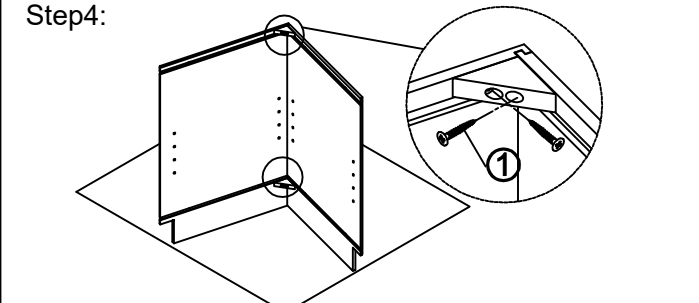
Step2:



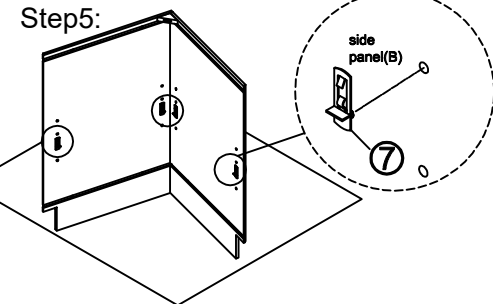
Step3:



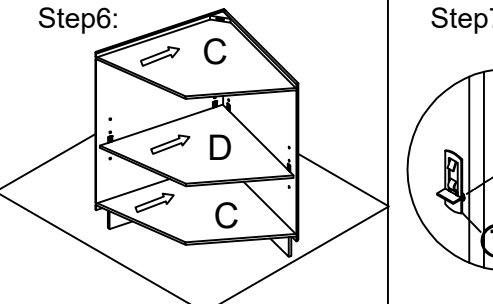
Step4:



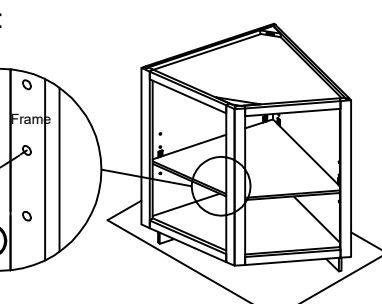
Step5:



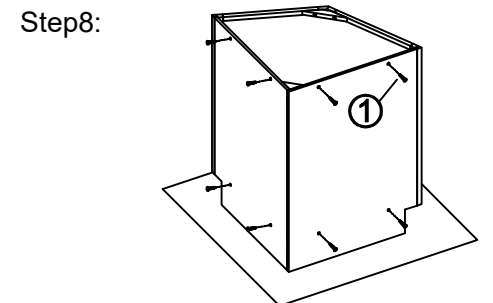
Step6:



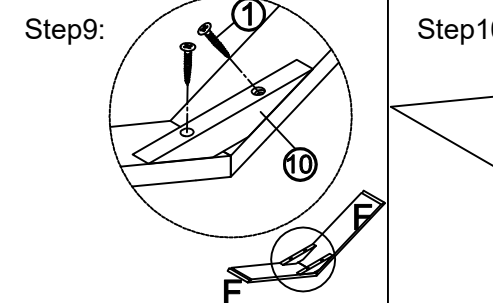
Step7:



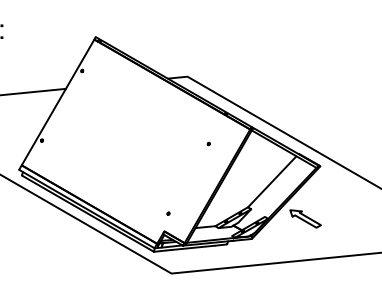
Step8:



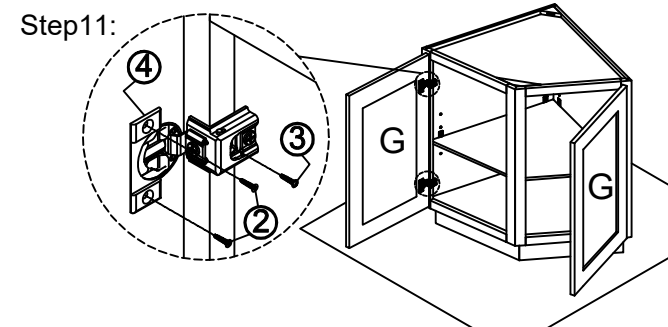
Step9:



Step10:



Step11:



Step12:

