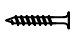








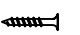
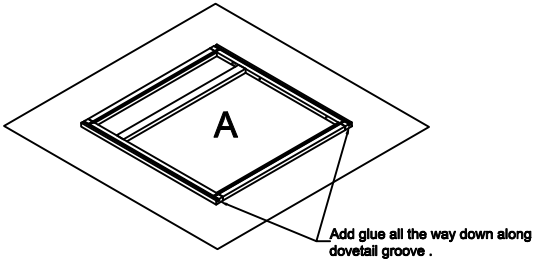


Base Cabinet Assembly Instruction (Item: B24-B33)

| | | | | | | | | |
|---|---|---|---|---|--|---|---|---|
| Hard Ware List | 1 10PCS Ø4×25mm | 2 8PCS Ø4×16mm | 3 4PCS Ø4×19mm | 4 4PCS 1-1/4" | 5 16PCS Ø4×12mm | 6 4PCS | 7 4PCS Ø8mm | 8 1SET |
| | Flat head screw | Flat head screw | Round head screw | Hinge | Flat head screw | Corner brackets | Shelf clips | Side |
| |  |  |  |  |  |  |  |  |
| 9 4PCS 60°60°18 | 10 6PCS Ø4×22mm | | | | | | | |
| Corner block | Flat head screw | | | | | | | |
|  |  | | | | | | | |

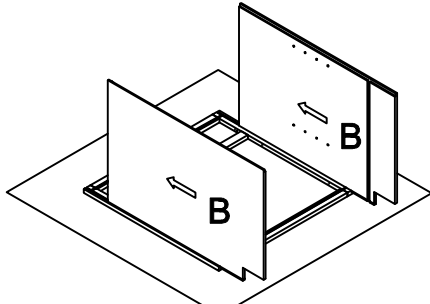
| | | | | | | | | | | | | |
|--------------------|---|-------|---|----------------|---|--------------------|---|-------------------|---|----------------------|---|---------------------|
| Cabinet Parts List | A | Frame | B | Side panels(2) | C | Bottom panel | D | Back panel | E | Toe kick | F | Adjustable shelf |
| | G | Door | H | Drawer front | I | Drawer front panel | J | Drawer back panel | K | Drawer side panel(2) | L | Drawer bottom panel |

Step1:

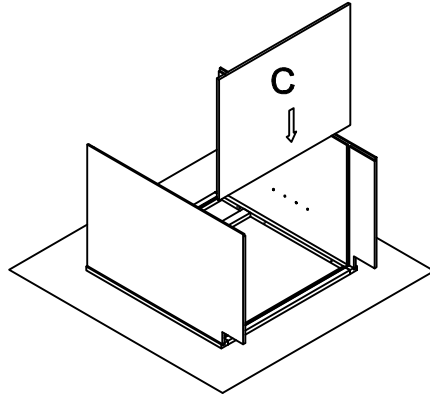


Add glue all the way down along dovetail groove .

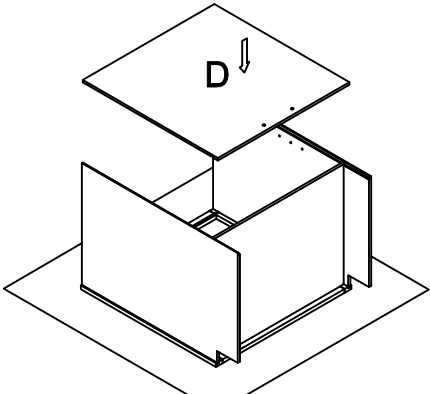
Step2:



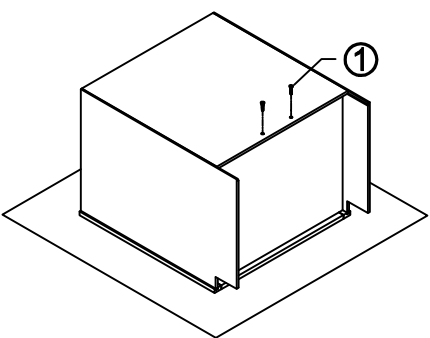
Step3:



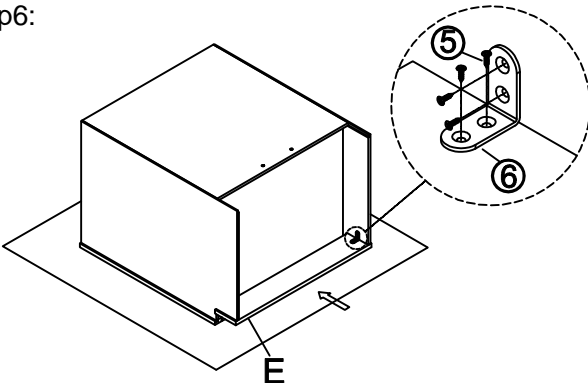
Step4:



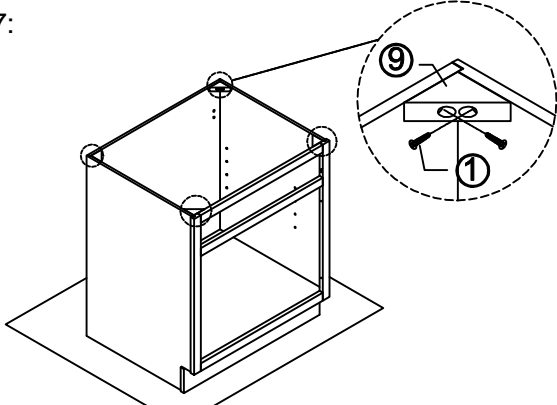
Step5:



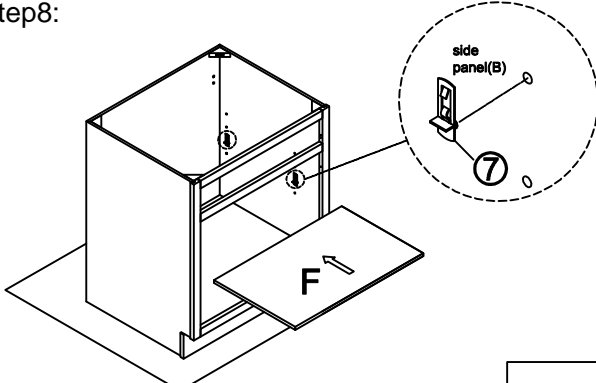
Step6:



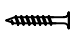








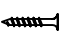
Step7:



Step8:



Base Cabinet Assembly Instruction (Item: B24-B33)

| | | | | | | | | |
|---|---|---|---|---|--|---|---|---|
| Hard Ware List | 1 10PCS Ø4×25mm | 2 8PCS Ø4×16mm | 3 4PCS Ø4×19mm | 4 4PCS 1-1/4" | 5 16PCS Ø4×12mm | 6 4PCS | 7 4PCS Ø8mm | 8 1SET |
| | Flat head screw | Flat head screw | Round head screw | Hinge | Flat head screw | Corner brackets | Shelf clips | Side |
| |  |  |  |  |  |  |  |  |
| 9 4PCS 60°60°18 | 10 6PCS Ø4×22mm | | | | | | | |
| Corner block | Flat head screw | | | | | | | |
|  |  | | | | | | | |

| | | | | | | | | | | | | |
|--------------------|---|-------|---|----------------|---|--------------------|---|-------------------|---|----------------------|---|---------------------|
| Cabinet Parts List | A | Frame | B | Side panels(2) | C | Bottom panel | D | Back panel | E | Toe kick | F | Adjustable shelf |
| | G | Door | H | Drawer front | I | Drawer front panel | J | Drawer back panel | K | Drawer side panel(2) | L | Drawer bottom panel |

